

General Description

QW2882 is a LED driver designed for Emergency Lighting. The QW2882 employs patent protected main line detecting methodology to control and drive the emergency lighting system, without any peripheral components. The QW2882 can drive an LED load directly or to enable a boost circuitry, while the AC input main line could be 85-265Vac.

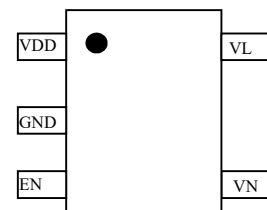
An AC main line detection filter is integrated in QW2882, to improve the immunity of main line glitch, and to improve the detection of emergency lighting status.

QW2882 can deliver as large as 1.5A output current. QW2882 is available in SOT23-5 package.

Features

- Simplified application circuitry
- AC main line detecting directly
- 85-265Vac
- EN PIN 1.5A output current

Package Reference

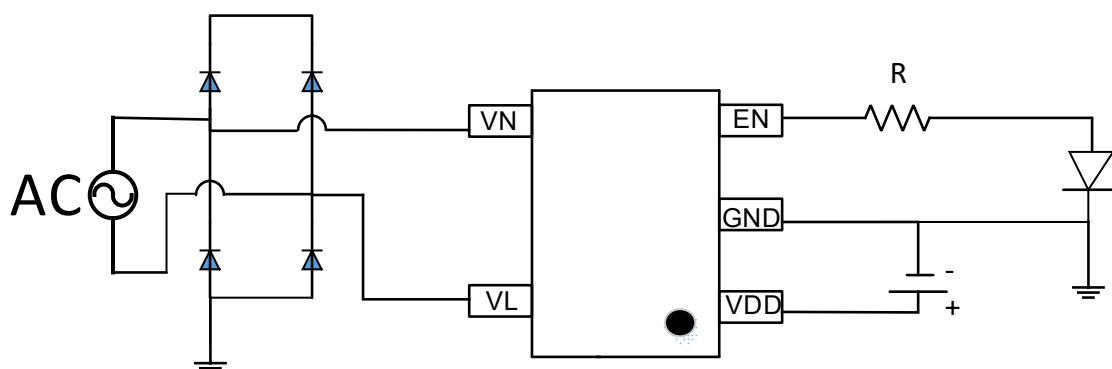


(Top View) SOT23_5

Application

- Emergency lighting
- Stand-by Lighting

Typical Application



以上为部分内容, 如需完整资料, 请邮件联系: [✉ robert.liu@sinceretekmicro.com](mailto:robert.liu@sinceretekmicro.com)

The information may not be complete. If you need documentation, please contact us.